

TOPCALF CALF PENS

The Topcalf calf pen system consists of a basis pen, which can be extended with extension pens. An extension pen basically consists of one separation wall and a divisible front gate. The modular Topcalf calf pen system makes it very easy to assemble or disassemble the extension pens.

The separation walls are easily removable, which makes it very easy to muck out and clean the calf pens. The separation walls also make it possible to create a small group housing. This way the calves can get used to living in a small group in an early stage. The separation walls are available in different lengths, heights and widths depending on the preferences and situation of the farmer.

In order to ensure a high level of quality and a long lifespan, the front- and back posts are galvanized. Furthermore, the divisible front gates allows the farmer to enter the calf housing without disturbing a drinking calf.

BASIS PEN +

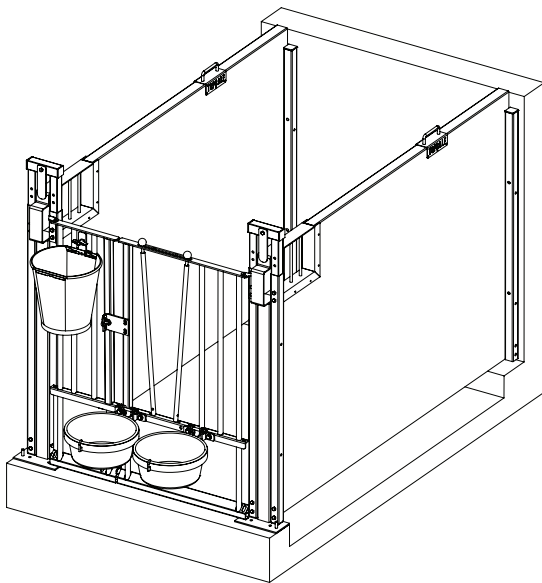
- ✓ 2x Front post
- ✓ 2x Back post
- ✓ Divisible front gate with adjustable bars
- ✓ Locking with a tumbler lock bolt
- ✓ 2x Plastic side wall (Width: 35 or 50 mm) (1,77" or 1,97")

EXTENSION PEN

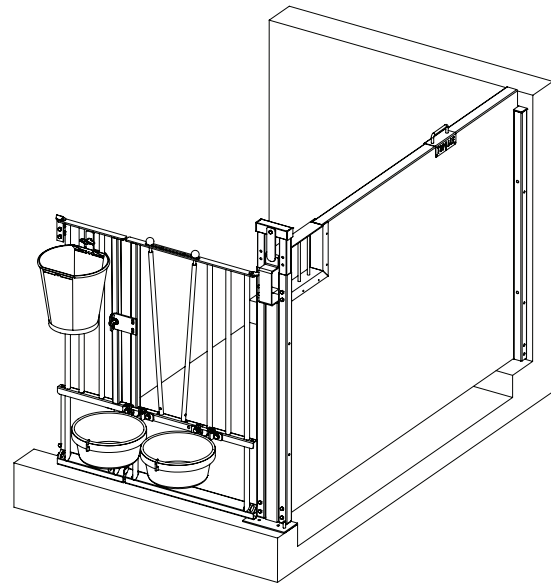
- ✓ 1x Front post
- ✓ 1x Back post
- ✓ Divisible front gate with adjustable bars
- ✓ Locking with a Tumbler lock bolt
- ✓ 1x Removable separation wall equipped with haft

BENEFITS

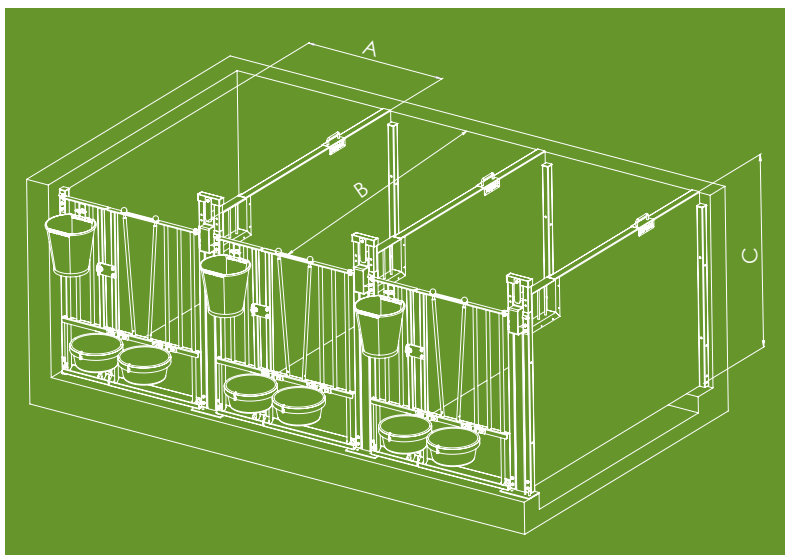
- ✓ Quality: the galvanized posts ensure a long product life span
- ✓ Removable separation walls make it easy to clean the pens
- ✓ Separation walls allow the farmer to create a group housing
- ✓ The divisible front gates allow the farmer to enter the calf pen without disturbing a drinking calf
- ✓ The walls of the pens are available in different lengths, heights and widths depending on your situation and preferences



BASIS PEN +



EXTENSION PENS



BASIS PEN + EXTENSION PENS

Standard basis pen with 2 extension boxes

The Topcalf calf pens are available in different sizes.

If you are planning on keeping your calves more than 8 weeks in a calf pen, we would recommend you a version with thicker and higher walls for more stability. This way the calves can't jump out of the calf housing.

The Topcalf calf pen options:

	Wall thickness	Pen width (A)	Pen depth (B)	Wall height (C)
Standard	3,5 cm (1,77")	100 cm (39,37")	162 cm (63,78")	100 cm (39,37")
Optional	5,0 cm (1,97")	100 cm (39,37")	162 to 220 cm (63,78"-86,81")	100 or 120 cm (39,37" or 47,24")
	5,0 cm (1,97")	100 cm (39,37")	162 to 220 cm (63,78"-86,81")	120 cm (47,24")

*Divisible front gate is standard

* Additional charge for custom wall lengths

* Only 5 mm thick walls are standardly equipped with an extra haft

OPTIONAL

- ✓ Back wall 3,5 cm thick (1,77") – 100 cm (39,37") wide
- ✓ Back wall 3,0 cm thick (1,18") – 100-120 cm (39,37"-47,24")
- ✓ Tiltable bucket holder
- ✓ Teat bucket holder
- ✓ Teat bucket
- ✓ Drinking/feeding bowl 8L
- ✓ Hay rack

SKU	Product
56.101.160	Calf pen – Basis pen 3,5 cm (1,77") flex 100 x 162 cm (39,37" x 63,78")
56.101.161	Calf pen – Extension pen 3,5 cm (1,77") flex 100 x 162 cm (39,37" x 63,78")
56.101.165	Calf pen – Basis pen 5 cm (1,97") flex 100 x 160 cm Green (39,37" x 62,88")
56.101.166	Calf pen – Extension pen 5 cm (1,97") flex 100 x 160 cm Green (39,37" x 62,88")
56.101.171	Calf pen – Basis pen 5 cm (1,97") flex 120 x 160 cm Green (47,24" x 62,88")
56.101.172	Calf pen – Extension pen 5 cm (1,97") flex 120 x 160 cm Green (47,24" x 62,88")

Different lengths available